

SCALA1



ALL-IN-ONE, SELF-PRIMING BOOSTER WITH BLUETOOTH® CONNECTIVITY

WATER SOURCE



Above Pump Level Below Pump Level Mains Water

APPLICATION



Household Water Irrigation Mains Boosting*



SCAN THE QR CODE TO LINK TO GRUNDFOS PRODUCT CENTER

The Grundfos SCALA1 is an all-in-one, self-priming pump with built-in Bluetooth® connectivity, making it simple to install, customise, control and troubleshoot using the Grundfos GO App.

- **For water sources below pump level** - Designed with good suction lift capabilities, the SCALA1 is able to draw water up to 8 metres vertically below the level of the pump
- **Quiet operation** - Super quiet operation that won't disturb your family or neighbours
- **All-in-one construction** - Tough, weather resistant outer casing houses the pump, motor and the controller
- **Easy installation – plug & pump** - Simply connect the pump inlet and outlet to the pipework, prime the pump, plug into a power outlet and you're ready to pump
- **Simple to operate and monitor** - Seamlessly connect to your SCALA1 using the Bluetooth connected Grundfos GO App.
- **Twin Booster** - For higher flow demand SCALA1 can be easily be setup as a twin booster. Duty assist and duty standby modes available. Base plate, manifolds, communication cable and fixing screws available as an accessory kit.



SCALA1 Twin Booster with manifold and base plate

PUMP NOISE



SCALA2

47 dB Max.



SCALA1

55 dB Max.



Jet Pump Range

70 dB Max.

PUMP SIZING

Higher pressure for multi-level dwellings and long runs of pipe			SCALA1 5-55
High pressure for double storey dwellings and long runs of pipe	SCALA1 3-35	SCALA1 3-35	SCALA1 5-55
Adequate pressure for most single storey dwellings	SCALA1 3-35	SCALA1 3-35	SCALA1 5-55
	Small House 2-3 taps	Medium House 3-4 taps	Large House 4-5 taps

PROTECTION & CONTROL

	SCALA1
Auto Start/Stop	✓
Non-Return Valve	✓
Dry Run Protection	✓
Anti-Cycling Protection	✓
Alarm Indication LED	✓
Grundfos GO Bluetooth connectivity	✓

* Subject to local legislation

be think innovate

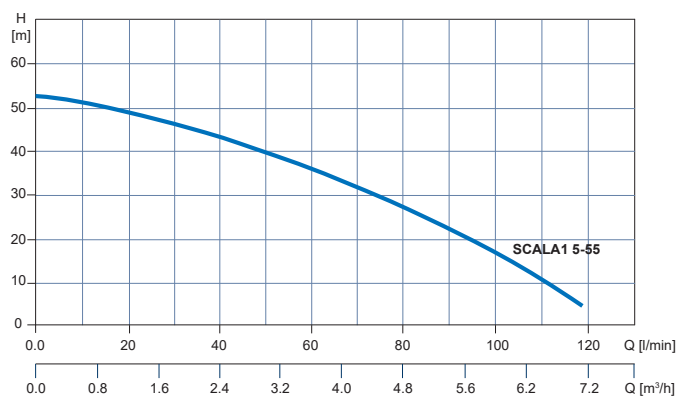
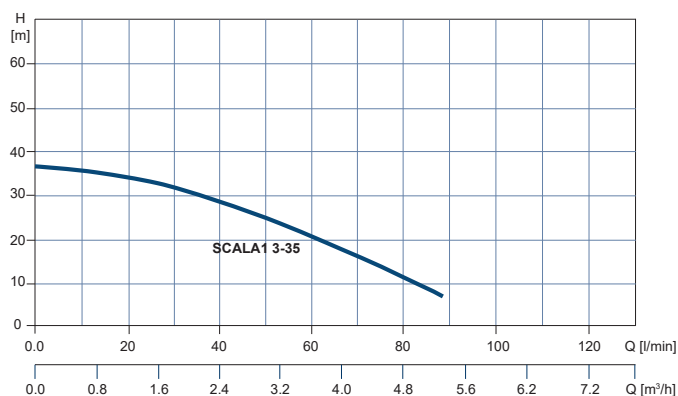


APR tanks

GRUNDFOS

TECHNICAL & PERFORMANCE DATA

PERFORMANCE CURVE



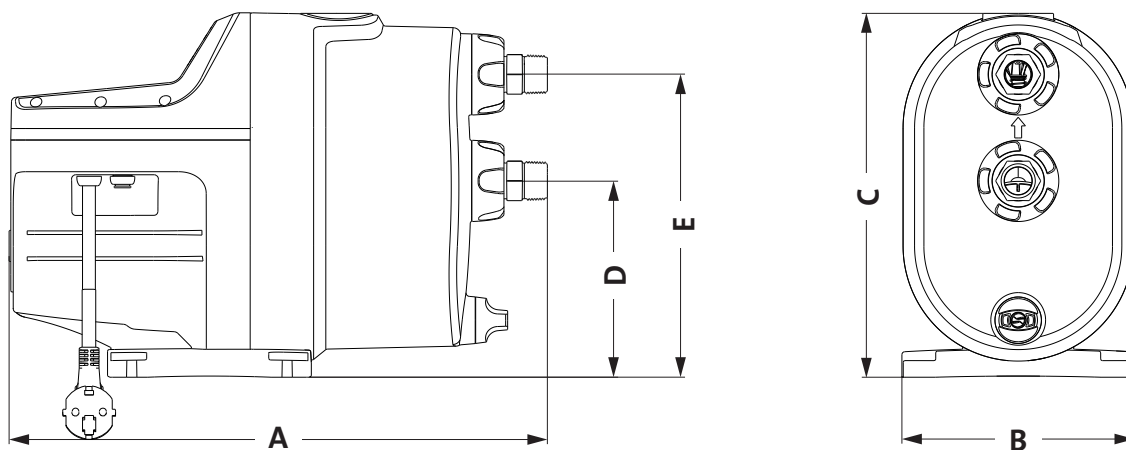
OPERATING CONDITIONS

Ambient Temperature	0°C to +55°C
Liquid Temperature	0°C to +45°C
System Pressure	Max. 8 bar
Sound Pressure	Max. 55 dB

TECHNICAL DATA

Power Supply Voltage	230 Volt, 50 Hz
Power Supply Cable	1.5 m with plug
Enclosure Class	Suitable for outdoor installation (IPX4D)
Approvals and Markings	Approved for Drinking Water AS/NZS 4020 C-Tick Compliance

PHYSICAL ATTRIBUTES



Model	Motor Power P2 (kW)	Connections		Dimensions (mm)					Weight (kg)
		Inlet	Outlet	A (l)	B (w)	C (h)	D (inlet)	E (outlet)	
SCALA1 3-35	0.60	1" Male	1" Male	466	202	316	171	263	12
SCALA1 5-55	1.00	1" Male	1" Male	466	200	316	171	263	14